

## D healing-basin

D3454-V overmount washbasin (W538×D338×H75 mm)



### Features

Customize the apron color

(Counter top panel sold separately, Drainage set sold separately, Faucet not included)

### Included

- Installation manual x1
- Waterproof tape x1 \* L=78.7(2000mm)
- Hex bolts x4
- Washers x4

### Material / Finish

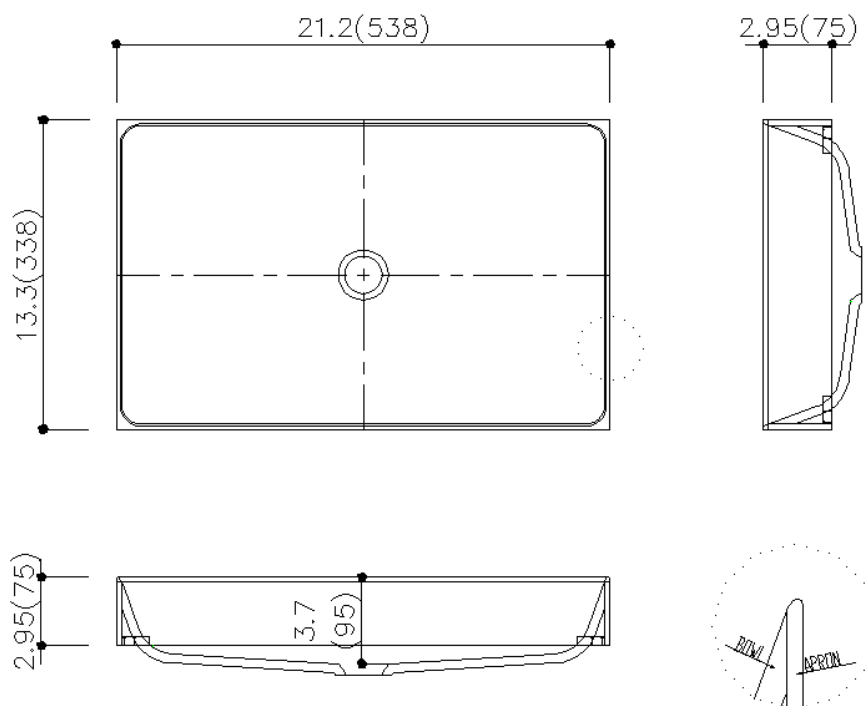
Choose an apron color from the color patterns of solid surfaces below.

(Dupont Corian, HI-MACS, Staron, Ecream,DK-series, etc.)



## Dimensions

The below drawings in inches(millimeters) show the standard size.



Utility model registration No. 3214697, Design registration No. 1642438  
Trademark registration No. 6188765

Official Distributor (USA & Canada)  
IPPIN PROJECT / CRAFTS Inc.  
contact@ippinproject.com  
www.ippinproject.com

DAINICHI KASEI KOUGYOU CO., LTD.  
Head office : 47-15, 4-chome, Izumi, Suginami-ku, Tokyo, 168-0063, Japan  
Oyama factory : 1946, Awanomiya, Oyama, Tochigi Pref, 329-0201, Japan  
TEL +81-3-3313-5245 <http://www.dainichikasei.com>

